

CREFORM STRUCTURE

Flexible Partition Module

CREFORM Barrier

Protect your employees and customers!

**INFORMATION**

The government's ban on contacts poses completely new challenges, especially for retailers. A spatial separation of sales staff and customers is essential in order to avoid the risk of infection.

We offer you a practical and cost-effective solution for this. The barriers we developed offer a good alternative to Euro pallets that have to be stacked or to adhesive tapes on the floor that are mostly ignored.

The CREFORM barriers can be easily placed, combined and easily moved for cleaning work. The color design can be made according to your wishes.

Please contact us !

CREFORM STRUCTURE

Basic Specifications

Size:

800x1100 mm

Weight:

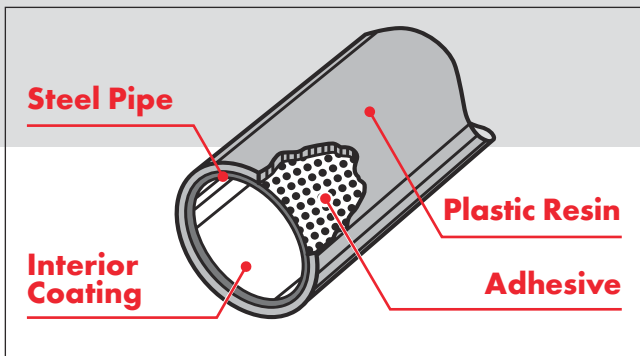
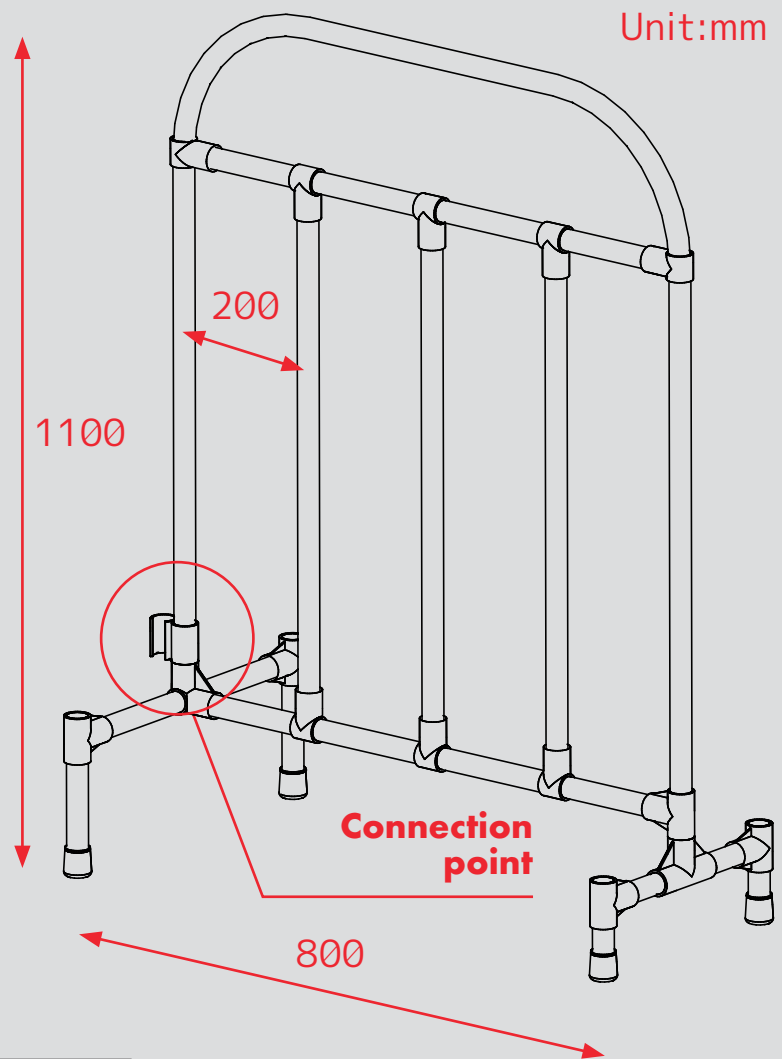
4.5 kg

Colour :

On request
(See pipe colour chart)

Configurable angle :

90 - 270 °



CREFORM Pipe

A plastic resin coated steel pipe with inner coating features:

- Soft and warm texture compared to steel pipe
- Resistant to corrosion
- Light and durable



Modular Linkage

A special connector J-18 enables attaching and detaching modules in one motion. By this component, modules can construct a very flexible barrier structure in length, angle and also at timing according to the individual situations.

Simple and practical

Effective for

- Area indication
- Queue organization
- Routing traffic
- Group distinction

Colour customizable

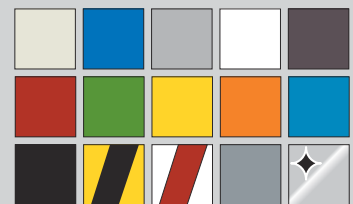
Connectable

- without space
- to unlimited length
- also at a corner
- to fit with the layout

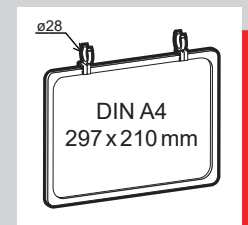
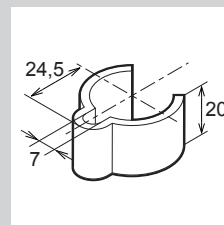
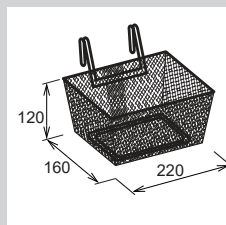
Colour trade mark by pipe colour combination



Pipe Colour Chart



Full Compatibility to CREFORM Components



CREFORM STRUCTURE

In Any Style, Anywhere, For Any Purpose.

Colours, sizes, attachments..., the full compatibility to our CREFORM pipe and joint system offers all possibilities for your individual solution.

Length, angle, interval, routing, entrance location..., flexible modularized design allows you to create any layout as desired.

Of course, its lightweight and non-bulky body never bothers you about any extra hard work for installation and storage.

Only whenever you need, wherever you need, as you desired.



„It's Flexible.“

Other Products**Pipes****Joints****Casters****Automatic guided vehicles**

CREFORM® Technik GmbH
Wolfsburger Straße 10
D-34225 Baunatal
Tel. +49 (0) 5 61.47 59 67-0
Fax +49 (0) 5 61.47 59 67-88
www.creform.de
info@creform.de

**© Copyright 2020**

All rights reserved. No part of this publication may be reproduced, stored in a retrieval system, or transmitted in any form by any means, electronic, mechanical, photocopying, recording or otherwise, without the written authorisation from CREFORM Technik GmbH. This catalogue supersedes all previous editions. Technical data is subject to change at any time. This catalogue was produced with care and attention but if you find any errors or omissions, we welcome suggestions for improvement so please don't hesitate to let us know. If you would like more information about CREFORM Technik GmbH, please contact us, we will be more than happy to help.

CREFORM® is a registered trademark of Yazaki Kako Corporation.

www.creform.de

