

**CORNER CLIP**

EF-1264

# Corner Clip

Designed to improve working with cartons

**INFORMATION****Features**

- Hold flaps down to keep cartons open for parts presentation, smooth work process and safety of workers
- Save time for cutting flaps off
- Save worktop space by stacking
- Reuse cartons and reduce cost

## CORNER CLIP

For improvement of packing/unpacking work efficiency



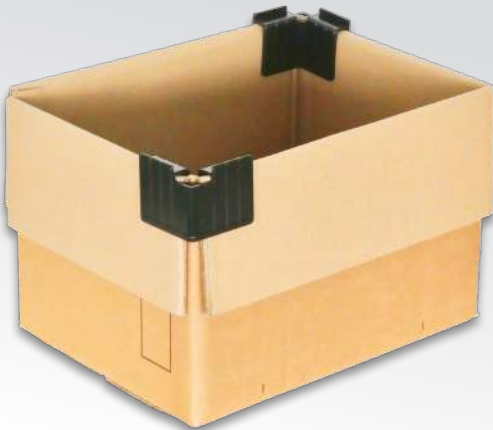
### ■ To fix flaps of carton open

Just by using two corner clips, you can fix troublesome flaps of cartons with ease.

#### For various purpose

- Keep carton open during packing operations to improve visibility and save time
- Use clips instead of cutting flaps off carton for parts presentation on assembly, etc
- Reuse cartons and reduce cost

Common carton



With 2 clips

### ■ To stack cartons up

By putting four corner clips on all corners of carton, it enables cartons to be stacked.

Note:  
Be sure to check strength of your cartons.  
Use only same size cartons for stacking.

Stackable!



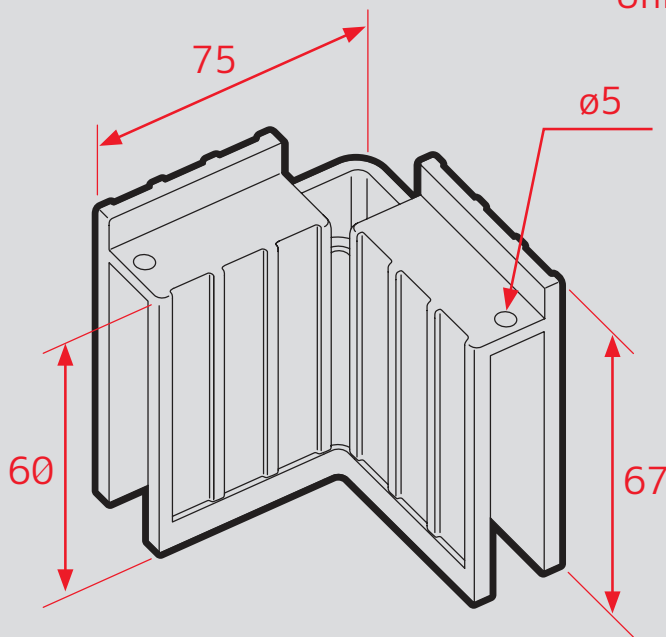
With 4 clips

**Basic specification**

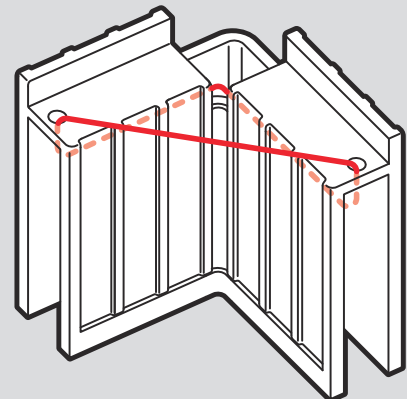
<b>Part name</b>	Corner clip
<b>Part number</b>	EF-1264
<b>Material</b>	Polystyrene
<b>Color</b>	Black
<b>Mass</b>	54 g

**Dimensions**

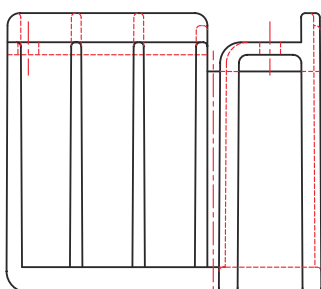
Unit: mm



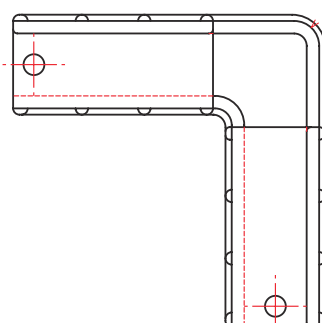
Holding a plastic cable tie in place, it reinforces and braces the corner.



**Front view**



**Top view**





**CORNER CLIP**

# Improve work efficiency with corner clip

Corner Clips improve work efficiency of handling cartons and safety by keeping troublesome flaps out of the way.

Clips fix flaps to respective sides, dissolving the need to cut flaps, eliminating a waste of productive time and protecting operators from cuts and abrasions.

Since cartons remain as the intact original, cartons can be reused cost-saving.

For most applications, placing only two clips on opposite corners is sufficient to hold the flaps down and improve the efficiency of packing/unpacking process.

For stacking security, clips can be positioned at all four corners, distributing weight loads and preventing side sagging.



## Other Products

**Pipes****Joints****Casters****Automatic guided vehicles**

**CREFORM®** Technik GmbH  
Wolfsburger Straße 10  
D-34225 Baunatal  
Tel. +49 (0) 5 61.47 59 67-0  
Fax +49 (0) 5 61.47 59 67-88  
[www.creform.de](http://www.creform.de)  
[info@creform.de](mailto:info@creform.de)

**© Copyright 2020**

All rights reserved. No part of this publication may be reproduced, stored in a retrieval system, or transmitted in any form by any means, electronic, mechanical, photocopying, recording or otherwise, without the written authorisation from CREFORM Technik GmbH. This catalogue supersedes all previous editions. Technical data is subject to change at any time. This catalogue was produced with care and attention but if you find any errors or omissions, we welcome suggestions for improvement so please don't hesitate to let us know. If you would like more information about CREFORM Technik GmbH, please contact us, we will be more than happy to help.

**CREFORM®** is a registered trademark of Yazaki Kako Corporation.

[www.creform.de](http://www.creform.de)

