

LIFTER DEVICE UNIT

CT-4900 series

CREFORM Lifter

Assembly-kit for lockable easy lifter

**INFORMATION**

Set of items to assemble a lockable simple lifter with gas pressure spring including all necessary parts and fixings.

- **Power assisted by gas spring**
- **Easy operation by one action**
- **Set items:** Lockable gas spring, flat grip, bowden wire, brackets, connecting components

LIFTER DEVICE UNIT

Sample structure

Height adjustable worktable
with lockable gas spring

Size:

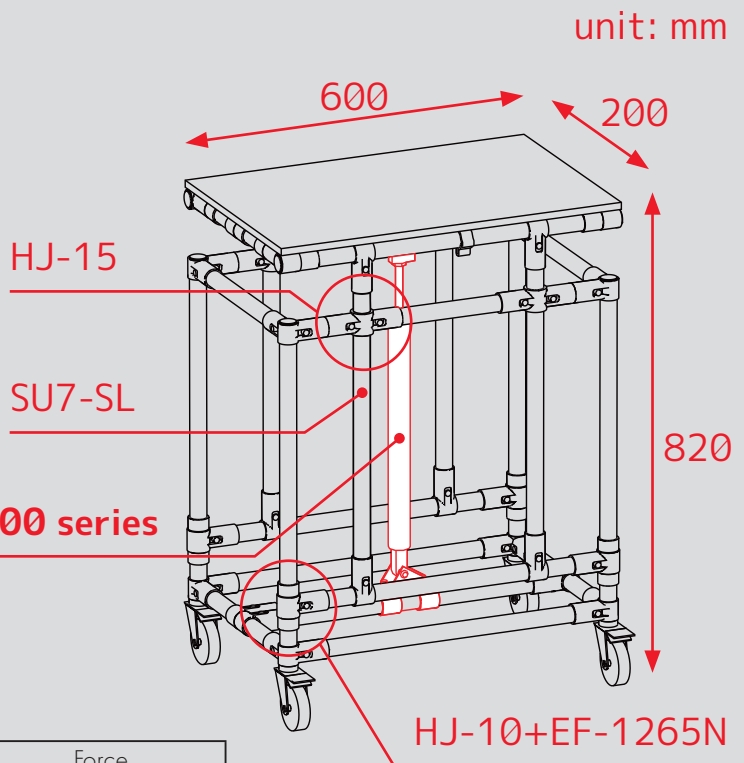
600x400x820 mm

Stroke:

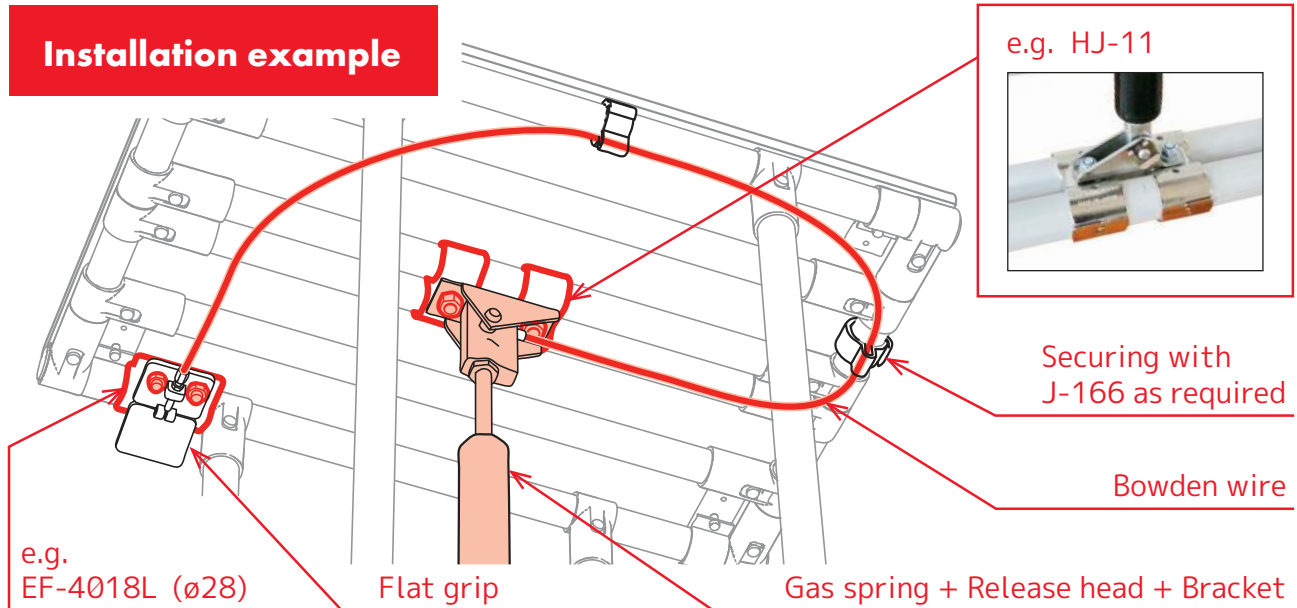
0-300 mm

Series lineup

Part-No.	Stroke	Unit	Force
CT-4900-1-300-853-155-SET	300 mm	1	155 N / 15 kgf
CT-4900-2-300-853-155-SET	300 mm	2	2x 155 N / 2x 15 kgf
CT-4900-2-200-515-70-SET	200 mm	2	2x 70 N / 2x 7 kgf



Installation example



CREFORM® Technik GmbH
Wolfsburger Straße 10
D-34225 Baunatal
Tel. +49 (0) 5 61.47 59 67-0
Fax +49 (0) 5 61.47 59 67-88
www.creform.de
info@creform.de



© Copyright 2020
All rights reserved. No part of this publication may be reproduced, stored in a retrieval system, or transmitted in any form by any means, electronic, mechanical, photocopying, recording or otherwise, without the written authorisation from CREFORM Technik GmbH. This catalogue supersedes all previous editions. Technical data is subject to change at any time. This catalogue was produced with care and attention but if you find any errors or omissions, we welcome suggestions for improvement so please don't hesitate to let us know. If you would like more information about CREFORM Technik GmbH, please contact us, we will be more than happy to help.

CREFORM® is a registered trademark of Yazaki Kako Corporation.

www.creform.de

